

MATERIAL:

CYLINDER : STEEL
OPERATING HEAD: BRASS HOT STAMPING

COATING:

CYLINDER: RED RAL 3000

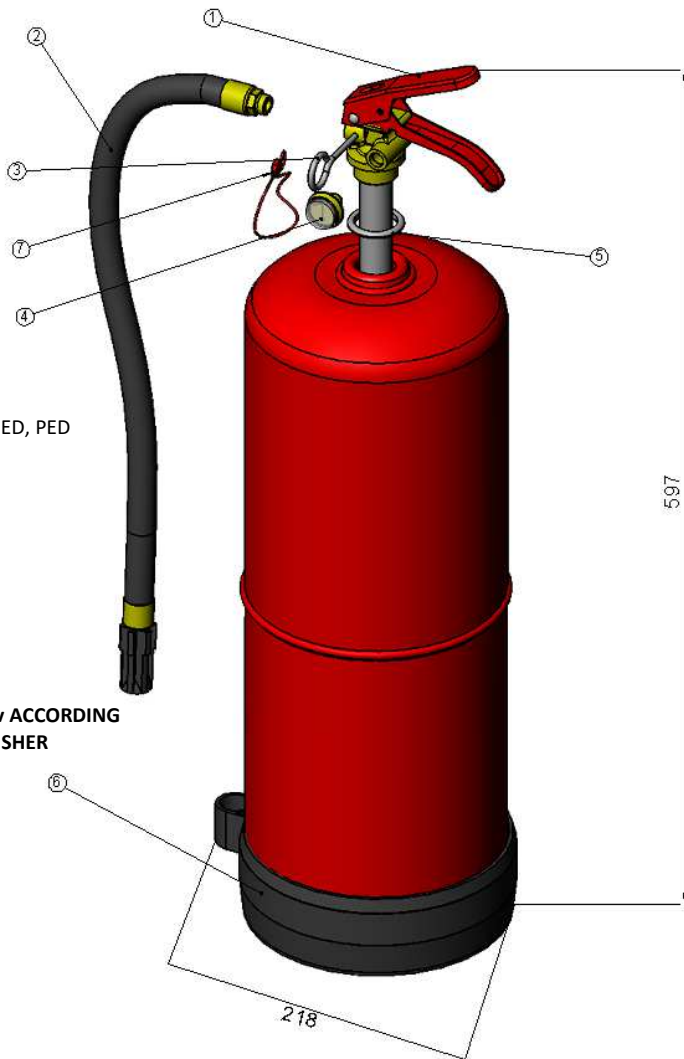
FIRE RATING : 27A 233B
CAPACITY : 9 L
MIN DISCHARGE TIME : 44 s
DISCHARGE RANGE : 4.5 m
TEST PRESSURE : 24 bar
WORKING PRESSURE : 14 bar (20°C)
CLASS : A B C
DESIGN STANDARD : APPROVAL EN3, MED, PED

WEIGHT:

EMPTY : 4.9 kg
FULL : 13.9 kg

TEMPERATURE OF USE : +5°C and +60°C

USE ON VOLTAGE OVER 1000V. UP TO 35 Kv ACCORDING TO LABEL INSTRUCTION ON FIRE EXTINGUISHER



survitec

FIRE EXTINGUISHER
9 L. AFFF FOAM
27 A 233 B

1. REMOVE THE SAFETY PIN.
2. SQUEEZE THE TRIGGER DIRECTING AT BASE OF FLAMES.

A B

APRIL 2017
MAY 2017
JUN 2017
JUL 2017
AUG 2017
SEP 2017
OCT 2017
NOV 2017
DEC 2017
JAN 2018
FEB 2018
MAR 2018
APR 2018
MAY 2018
JUN 2018
JUL 2018
AUG 2018
SEP 2018
OCT 2018
NOV 2018
DEC 2018
JAN 2019
FEB 2019
MAR 2019
APR 2019
MAY 2019
JUN 2019
JUL 2019
AUG 2019
SEP 2019
OCT 2019
NOV 2019
DEC 2019
JAN 2020
FEB 2020
MAR 2020
APR 2020
MAY 2020
JUN 2020
JUL 2020
AUG 2020
SEP 2020
OCT 2020
NOV 2020
DEC 2020
JAN 2021
FEB 2021
MAR 2021
APR 2021
MAY 2021
JUN 2021
JUL 2021
AUG 2021
SEP 2021
OCT 2021
NOV 2021
DEC 2021
JAN 2022
FEB 2022
MAR 2022
APR 2022
MAY 2022
JUN 2022
JUL 2022
AUG 2022
SEP 2022
OCT 2022
NOV 2022
DEC 2022
JAN 2023
FEB 2023
MAR 2023
APR 2023
MAY 2023
JUN 2023
JUL 2023
AUG 2023
SEP 2023
OCT 2023
NOV 2023
DEC 2023
JAN 2024
FEB 2024
MAR 2024
APR 2024
MAY 2024
JUN 2024
JUL 2024
AUG 2024
SEP 2024
OCT 2024
NOV 2024
DEC 2024
JAN 2025
FEB 2025
MAR 2025
APR 2025
MAY 2025
JUN 2025
JUL 2025
AUG 2025
SEP 2025
OCT 2025
NOV 2025
DEC 2025
JAN 2026
FEB 2026
MAR 2026
APR 2026
MAY 2026
JUN 2026
JUL 2026
AUG 2026
SEP 2026
OCT 2026
NOV 2026
DEC 2026
JAN 2027
FEB 2027
MAR 2027
APR 2027
MAY 2027
JUN 2027
JUL 2027
AUG 2027
SEP 2027
OCT 2027
NOV 2027
DEC 2027
JAN 2028
FEB 2028
MAR 2028
APR 2028
MAY 2028
JUN 2028
JUL 2028
AUG 2028
SEP 2028
OCT 2028
NOV 2028
DEC 2028
JAN 2029
FEB 2029
MAR 2029
APR 2029
MAY 2029
JUN 2029
JUL 2029
AUG 2029
SEP 2029
OCT 2029
NOV 2029
DEC 2029
JAN 2030
FEB 2030
MAR 2030
APR 2030
MAY 2030
JUN 2030
JUL 2030
AUG 2030
SEP 2030
OCT 2030
NOV 2030
DEC 2030
JAN 2031
FEB 2031
MAR 2031
APR 2031
MAY 2031
JUN 2031
JUL 2031
AUG 2031
SEP 2031
OCT 2031
NOV 2031
DEC 2031
JAN 2032
FEB 2032
MAR 2032
APR 2032
MAY 2032
JUN 2032
JUL 2032
AUG 2032
SEP 2032
OCT 2032
NOV 2032
DEC 2032
JAN 2033
FEB 2033
MAR 2033
APR 2033
MAY 2033
JUN 2033
JUL 2033
AUG 2033
SEP 2033
OCT 2033
NOV 2033
DEC 2033
JAN 2034
FEB 2034
MAR 2034
APR 2034
MAY 2034
JUN 2034
JUL 2034
AUG 2034
SEP 2034
OCT 2034
NOV 2034
DEC 2034
JAN 2035
FEB 2035
MAR 2035
APR 2035
MAY 2035
JUN 2035
JUL 2035
AUG 2035
SEP 2035
OCT 2035
NOV 2035
DEC 2035
JAN 2036
FEB 2036
MAR 2036
APR 2036
MAY 2036
JUN 2036
JUL 2036
AUG 2036
SEP 2036
OCT 2036
NOV 2036
DEC 2036
JAN 2037
FEB 2037
MAR 2037
APR 2037
MAY 2037
JUN 2037
JUL 2037
AUG 2037
SEP 2037
OCT 2037
NOV 2037
DEC 2037
JAN 2038
FEB 2038
MAR 2038
APR 2038
MAY 2038
JUN 2038
JUL 2038
AUG 2038
SEP 2038
OCT 2038
NOV 2038
DEC 2038
JAN 2039
FEB 2039
MAR 2039
APR 2039
MAY 2039
JUN 2039
JUL 2039
AUG 2039
SEP 2039
OCT 2039
NOV 2039
DEC 2039
JAN 2040
FEB 2040
MAR 2040
APR 2040
MAY 2040
JUN 2040
JUL 2040
AUG 2040
SEP 2040
OCT 2040
NOV 2040
DEC 2040
JAN 2041
FEB 2041
MAR 2041
APR 2041
MAY 2041
JUN 2041
JUL 2041
AUG 2041
SEP 2041
OCT 2041
NOV 2041
DEC 2041
JAN 2042
FEB 2042
MAR 2042
APR 2042
MAY 2042
JUN 2042
JUL 2042
AUG 2042
SEP 2042
OCT 2042
NOV 2042
DEC 2042
JAN 2043
FEB 2043
MAR 2043
APR 2043
MAY 2043
JUN 2043
JUL 2043
AUG 2043
SEP 2043
OCT 2043
NOV 2043
DEC 2043
JAN 2044
FEB 2044
MAR 2044
APR 2044
MAY 2044
JUN 2044
JUL 2044
AUG 2044
SEP 2044
OCT 2044
NOV 2044
DEC 2044
JAN 2045
FEB 2045
MAR 2045
APR 2045
MAY 2045
JUN 2045
JUL 2045
AUG 2045
SEP 2045
OCT 2045
NOV 2045
DEC 2045
JAN 2046
FEB 2046
MAR 2046
APR 2046
MAY 2046
JUN 2046
JUL 2046
AUG 2046
SEP 2046
OCT 2046
NOV 2046
DEC 2046
JAN 2047
FEB 2047
MAR 2047
APR 2047
MAY 2047
JUN 2047
JUL 2047
AUG 2047
SEP 2047
OCT 2047
NOV 2047
DEC 2047
JAN 2048
FEB 2048
MAR 2048
APR 2048
MAY 2048
JUN 2048
JUL 2048
AUG 2048
SEP 2048
OCT 2048
NOV 2048
DEC 2048
JAN 2049
FEB 2049
MAR 2049
APR 2049
MAY 2049
JUN 2049
JUL 2049
AUG 2049
SEP 2049
OCT 2049
NOV 2049
DEC 2049
JAN 2050
FEB 2050
MAR 2050
APR 2050
MAY 2050
JUN 2050
JUL 2050
AUG 2050
SEP 2050
OCT 2050
NOV 2050
DEC 2050

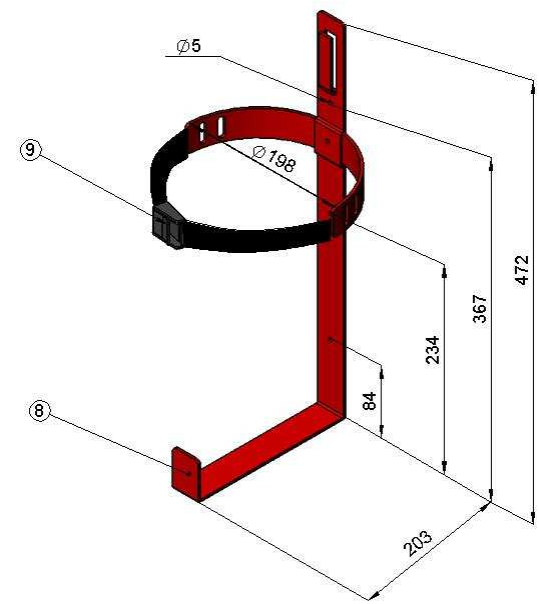
APRIL 2017
MAY 2017
JUN 2017
JUL 2017
AUG 2017
SEP 2017
OCT 2017
NOV 2017
DEC 2017
JAN 2018
FEB 2018
MAR 2018
APR 2018
MAY 2018
JUN 2018
JUL 2018
AUG 2018
SEP 2018
OCT 2018
NOV 2018
DEC 2018
JAN 2019
FEB 2019
MAR 2019
APR 2019
MAY 2019
JUN 2019
JUL 2019
AUG 2019
SEP 2019
OCT 2019
NOV 2019
DEC 2019
JAN 2020
FEB 2020
MAR 2020
APR 2020
MAY 2020
JUN 2020
JUL 2020
AUG 2020
SEP 2020
OCT 2020
NOV 2020
DEC 2020
JAN 2021
FEB 2021
MAR 2021
APR 2021
MAY 2021
JUN 2021
JUL 2021
AUG 2021
SEP 2021
OCT 2021
NOV 2021
DEC 2021
JAN 2022
FEB 2022
MAR 2022
APR 2022
MAY 2022
JUN 2022
JUL 2022
AUG 2022
SEP 2022
OCT 2022
NOV 2022
DEC 2022
JAN 2023
FEB 2023
MAR 2023
APR 2023
MAY 2023
JUN 2023
JUL 2023
AUG 2023
SEP 2023
OCT 2023
NOV 2023
DEC 2023
JAN 2024
FEB 2024
MAR 2024
APR 2024
MAY 2024
JUN 2024
JUL 2024
AUG 2024
SEP 2024
OCT 2024
NOV 2024
DEC 2024
JAN 2025
FEB 2025
MAR 2025
APR 2025
MAY 2025
JUN 2025
JUL 2025
AUG 2025
SEP 2025
OCT 2025
NOV 2025
DEC 2025
JAN 2026
FEB 2026
MAR 2026
APR 2026
MAY 2026
JUN 2026
JUL 2026
AUG 2026
SEP 2026
OCT 2026
NOV 2026
DEC 2026
JAN 2027
FEB 2027
MAR 2027
APR 2027
MAY 2027
JUN 2027
JUL 2027
AUG 2027
SEP 2027
OCT 2027
NOV 2027
DEC 2027
JAN 2028
FEB 2028
MAR 2028
APR 2028
MAY 2028
JUN 2028
JUL 2028
AUG 2028
SEP 2028
OCT 2028
NOV 2028
DEC 2028
JAN 2029
FEB 2029
MAR 2029
APR 2029
MAY 2029
JUN 2029
JUL 2029
AUG 2029
SEP 2029
OCT 2029
NOV 2029
DEC 2029
JAN 2030
FEB 2030
MAR 2030
APR 2030
MAY 2030
JUN 2030
JUL 2030
AUG 2030
SEP 2030
OCT 2030
NOV 2030
DEC 2030
JAN 2031
FEB 2031
MAR 2031
APR 2031
MAY 2031
JUN 2031
JUL 2031
AUG 2031
SEP 2031
OCT 2031
NOV 2031
DEC 2031
JAN 2032
FEB 2032
MAR 2032
APR 2032
MAY 2032
JUN 2032
JUL 2032
AUG 2032
SEP 2032
OCT 2032
NOV 2032
DEC 2032
JAN 2033
FEB 2033
MAR 2033
APR 2033
MAY 2033
JUN 2033
JUL 2033
AUG 2033
SEP 2033
OCT 2033
NOV 2033
DEC 2033
JAN 2034
FEB 2034
MAR 2034
APR 2034
MAY 2034
JUN 2034
JUL 2034
AUG 2034
SEP 2034
OCT 2034
NOV 2034
DEC 2034
JAN 2035
FEB 2035
MAR 2035
APR 2035
MAY 2035
JUN 2035
JUL 2035
AUG 2035
SEP 2035
OCT 2035
NOV 2035
DEC 2035
JAN 2036
FEB 2036
MAR 2036
APR 2036
MAY 2036
JUN 2036
JUL 2036
AUG 2036
SEP 2036
OCT 2036
NOV 2036
DEC 2036
JAN 2037
FEB 2037
MAR 2037
APR 2037
MAY 2037
JUN 2037
JUL 2037
AUG 2037
SEP 2037
OCT 2037
NOV 2037
DEC 2037
JAN 2038
FEB 2038
MAR 2038
APR 2038
MAY 2038
JUN 2038
JUL 2038
AUG 2038
SEP 2038
OCT 2038
NOV 2038
DEC 2038
JAN 2039
FEB 2039
MAR 2039
APR 2039
MAY 2039
JUN 2039
JUL 2039
AUG 2039
SEP 2039
OCT 2039
NOV 2039
DEC 2039
JAN 2040
FEB 2040
MAR 2040
APR 2040
MAY 2040
JUN 2040
JUL 2040
AUG 2040
SEP 2040
OCT 2040
NOV 2040
DEC 2040
JAN 2041
FEB 2041
MAR 2041
APR 2041
MAY 2041
JUN 2041
JUL 2041
AUG 2041
SEP 2041
OCT 2041
NOV 2041
DEC 2041
JAN 2042
FEB 2042
MAR 2042
APR 2042
MAY 2042
JUN 2042
JUL 2042
AUG 2042
SEP 2042
OCT 2042
NOV 2042
DEC 2042
JAN 2043
FEB 2043
MAR 2043
APR 2043
MAY 2043
JUN 2043
JUL 2043
AUG 2043
SEP 2043
OCT 2043
NOV 2043
DEC 2043
JAN 2044
FEB 2044
MAR 2044
APR 2044
MAY 2044
JUN 2044
JUL 2044
AUG 2044
SEP 2044
OCT 2044
NOV 2044
DEC 2044
JAN 2045
FEB 2045
MAR 2045
APR 2045
MAY 2045
JUN 2045
JUL 2045
AUG 2045
SEP 2045
OCT 2045
NOV 2045
DEC 2045
JAN 2046
FEB 2046
MAR 2046
APR 2046
MAY 2046
JUN 2046
JUL 2046
AUG 2046
SEP 2046
OCT 2046
NOV 2046
DEC 2046
JAN 2047
FEB 2047
MAR 2047
APR 2047
MAY 2047
JUN 2047
JUL 2047
AUG 2047
SEP 2047
OCT 2047
NOV 2047
DEC 2047
JAN 2048
FEB 2048
MAR 2048
APR 2048
MAY 2048
JUN 2048
JUL 2048
AUG 2048
SEP 2048
OCT 2048
NOV 2048
DEC 2048
JAN 2049
FEB 2049
MAR 2049
APR 2049
MAY 2049
JUN 2049
JUL 2049
AUG 2049
SEP 2049
OCT 2049
NOV 2049
DEC 2049
JAN 2050
FEB 2050
MAR 2050
APR 2050
MAY 2050
JUN 2050
JUL 2050
AUG 2050
SEP 2050
OCT 2050
NOV 2050
DEC 2050

APPROVAL NO: 0029 MED PED
NF - 14 SP3384
NF - 15 SP3384
NF - 01 SP114

Avoid any direct contact of the nozzle with electrical conductor.
In case of use on voltage under 1000 V, keep nozzle at a minimum distance of 2 m.
This fire extinguisher is compatible to use on voltage under 1000V by authorized staff according to regulations in force, provided that following distances are respected:
-Up to 05 kV: keep nozzle at minimum distance of 1 m.
-From 05 kV to 1 kV: keep nozzle at minimum distance of 2 m.

PPE9A

survitec
Survitec Group Limited
1-5 Beaufort Road - Birkenhead, Merseyside, UK, CH41 1HQ
Tel: +44 151 450 5600, E-mail: info@survitecgroup.com
Website: www.survitecgroup.com
Produced by: INDUSTRIAS ALCASA S.L.
C/ Tipsters nº3, 46200 PAPFORÇA (Spain).



TYPE	PROD NO
EXTINGUISHER PPE9A WITHOUT MARINE BRACKET	777836

ITEM	NO OF	DESCRIPTION	PROD NO
10	1	AFFF foam charge F/PPE9A 1 liter	777838
9	1	Strap F/M. bracket F/PP12P/PP9P 5 pck	756387
8	1	M. bracket W/Strap F/PP9P	739516
7	1	Wire and seal F/All ext. 90pck	667600
6	1	Base prot. F/PP9P/PPE9A	756452
5	1	Valve seal F/All ext.PP 10 pck	674275
4	1	Gauge F/PPE9A 5pck	777840
3	1	Safety pin F/All ext.PP 10pck	674259
2	1	Hose with nozzle F/PPE9A	777842
1	1	Valve with syphon tube F/PPE9A	777844

survitec
Distributed by
Survitec Group Limited

01	Drawn by/date MB 30/11/2017
	Issued by/date MB 30/11/2017
Rev no.	Approved by/date

Main product group or System
SURVITEC PORTABLE FIRE FIGHTING EQUIPMENT

Product
WATER EXTINGUISHER 9L MODEL PPE9A

Product no. See Table
Data sheet no. **29-01-123**
6080687 Ed01